

Technical data sheet



Product features

Fry-top griddle plate 80x51 electric chromed combined without cabinet 400 V

| | | |
|--------------|-----------------|----------|
| Model | SAP Code | 00012415 |
|--------------|-----------------|----------|



- Top type: Combined
- Griddle dimensions [mm x mm]: 800 x 510
- Griddle thickness [mm]: 12.00
- Worktop material: Chrome plated steel
- Container for liquid fat: Yes
- Independent heating zones: Separate control for each heating zone
- Maximum device temperature [°C]: 300
- Surface finish: polished chrome 0.03 mm
- Removable rim: Yes

| | | | |
|------------------------|----------|-------------------------------------|--------------------|
| SAP Code | 00012415 | Power electric [kW] | 9.000 |
| Net Width [mm] | 800 | Loading | 400 V / 3N - 50 Hz |
| Net Depth [mm] | 700 | Griddle dimensions [mm x mm] | 800 x 510 |
| Net Height [mm] | 330 | Top type | Combined |
| Net Weight [kg] | 66.00 | | |

Technical data sheet



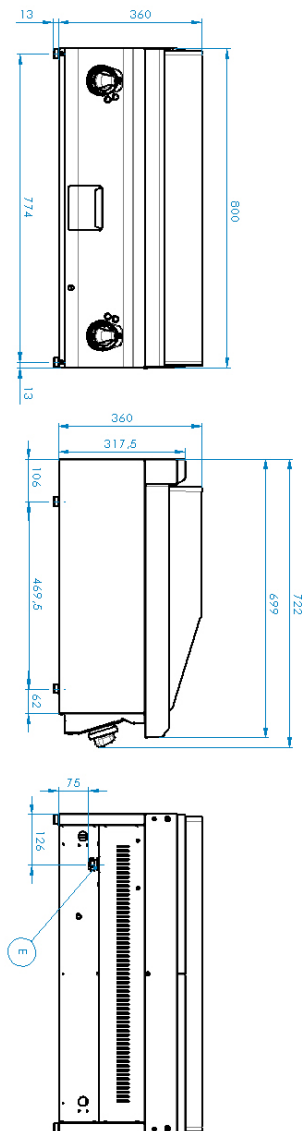
Technical drawing

Fry-top griddle plate 80x51 electric chromed combined without cabinet 400 V

Model

SAP Code

00012415



Fry-top griddle plate 80x51 electric chromed combined without cabinet 400 V

| | | |
|--------------|-----------------|----------|
| Model | SAP Code | 00012415 |
|--------------|-----------------|----------|

1

All-stainless design

- long life
- corrosion resistance of the top plate material
 - savings on service interventions
 - easier and faster operation

2

Degree of protection of the control elements IPX4

- maintenance-free system
- resistance to splash water
- long life
 - savings on service interventions
 - easy cleaning and maintenance of equipment

3

Outlet for waste liquids

- ensures that oil drips into the socket
 - easy maintenance
 - easy cleaning

4

High detachable hem

- better hygienic conditions
- preventing grease from splashing onto ancillary equipment
 - easy maintenance
 - easy cleaning

5

Combined plate made of chrome-plated steel

- the product bakes less
- enables preparation on smooth or grooved plates
 - time-saving in food preparation
 - easy preparation of different types of dishes

6

Cooking unit for use on a table or on a base

- variable use
- the possibility of placement in smaller spaces
 - easy handling
 - cost savings on substructure

Technical data sheet



Technical parameters

Fry-top griddle plate 80x51 electric chromed combined without cabinet 400 V

| | | |
|--------------|-----------------|----------|
| Model | SAP Code | 00012415 |
|--------------|-----------------|----------|

1. SAP Code:

00012415

2. Net Width [mm]:

800

3. Net Depth [mm]:

700

4. Net Height [mm]:

330

5. Net Weight [kg]:

66.00

6. Gross Width [mm]:

840

7. Gross depth [mm]:

800

8. Gross Height [mm]:

390

9. Gross Weight [kg]:

78.00

10. Device type:

Electric unit

11. Construction type of device:

Table top

12. Power electric [kW]:

9.000

13. Loading:

400 V / 3N - 50 Hz

14. Protection of controls:

IPX4

15. Material:

AISI 304 top plate, AISI 430 cladding

16. Indicators:

operation and warm-up

17. Worktop material:

Chrome plated steel

18. Worktop Thickness [mm]:

1.20

19. Surface finish:

polished chrome 0.03 mm

20. Maximum device temperature [°C]:

300

21. Minimum device temperature [°C]:

50

22. Service accessibility:

Trough the frontal panel

23. Safety thermostat:

Yes

24. Adjustable feet:

Yes

25. Griddle dimensions [mm x mm]:

800 x 510

26. Griddle thickness [mm]:

12.00

27. Container for liquid fat:

Yes

28. Independent heating zones:

Separate control for each heating zone

Technical data sheet



Technical parameters

Fry-top griddle plate 80x51 electric chromed combined without cabinet 400 V

| | | |
|--------------|-----------------|----------|
| Model | SAP Code | 00012415 |
|--------------|-----------------|----------|

29. Removable rim:

Yes

30. Top type:

Combinated